

This bottom mounted series is designed to fit into confined spaces. The easy to access refrigeration unit makes servicing and maintenance a breeze, and the hot air from the condenser unit is blown up the glass doors to reduce condensation.

Generic Specifications

- Operating temperature adjustable from +1°C to +4°C in 43°C ambient
- Consistent temperatures maintained by fan-forced ducted air flow
- Electronic controller with digital temperature display
- Exterior: galvanised steel (powder coated white) or natural finish stainless steel (excluding galvanised steel back and top)
- Interior: galvanised steel (powder coated white) or natural finish stainless steel
- Self-closing, double-glazed, toughened safety-glass doors with silver anodised aluminium frames and vertical full height ergonomic handles
- Easy plug-in, 10 Amp power supply (230-240V, 50Hz), via mains flex
- 5 adjustable plastic coated shelves as standard
- Energy efficient, interior vertical side lights
- Replaceable, long-life magnetic door gaskets
- Bottom mounted removable SKOPE Cyclone™ refrigeration system
- Insulation: 50mm thick, high density cyclo-isopentane polyurethane foam (CFC, HCFC & HFC free)

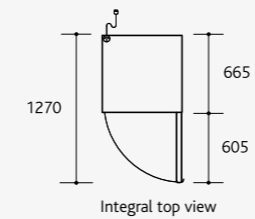
- R134a refrigerant (CFC & HCFC free)
- Optional 200mm high, illuminated sign panel, please specify when ordering

Integral Specifications

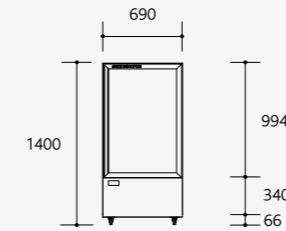
- Hot air from the condenser unit is blown up the glass door, reducing condensation and ensuring product visibility within the cabinet
- Plumbing free design

Remote Specifications

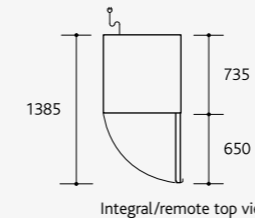
- Ambient air is blown up the glass door, reducing condensation and ensuring product visibility within the cabinet
- Thermostatic expansion valve fitted as standard (to suit R134a or R404A, please specify when ordering)
- See Remote Refrigeration System Specifications on page 112 for more information



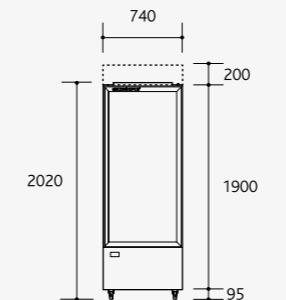
Integral top view



Integral front elevation



Integral/remote top view



Integral/remote front elevation



B280

Model	Weight (kg)	Integral/Remote	Chiller/Freezer
B280	110	Integral	Chiller
		Integral External (mm)	Internal (mm)
Height*		1400	905
Width		690	590
Depth		665	530
Door Height		994	
Glass Area		0.53	
			Integral
Gross Volume			280 litres
Total Shelf Area			0.71m ² (excluding floor)
Floor Area			0.46m ²



B550

✓ High Energy Efficiency

Model	Weight (kg)	Integral/Remote	Chiller/Freezer
B550	190	Integral	Chiller
B550r	175	Remote	Chiller
		Integral External (mm)	Internal (mm)
Height*		2020	1440
Width		740	640
Depth		735	555
Door Height		1526	
Glass Area		0.91	
			Integral
Gross Volume			558 litres
Total Shelf Area			1.16m ² (including floor)
Floor Area			0.56m ²

- Remote refrigeration duty 700 Watts at -5°C SST
- Maximum height 2195mm with optional sign fitted

*Height includes castors and excludes optional sign panel

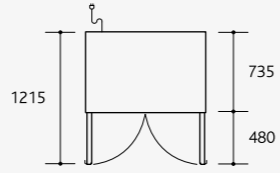


B900 ✓ High Energy Efficiency

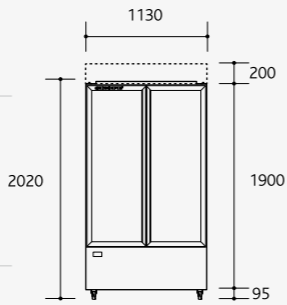
Model	Weight (kg)	Integral/Remote	Chiller/Freezer
B900	210	Integral	Chiller
B900r	195	Remote	Chiller

	Integral External (mm)	Internal (mm)		Integral
Height*	2020	1440	Gross Volume	892 litres
Width	1130	1030	Total Shelf Area	1.92m ² (excluding floor)
Depth	735	555	Floor Area	0.85m ²
Door Height	1526			
Glass Area	1.33			

- Remote refrigeration duty 820 Watts at -5°C SST
- Maximum height 2195mm with optional sign fitted



Integral/remote top view



Integral/remote front elevation

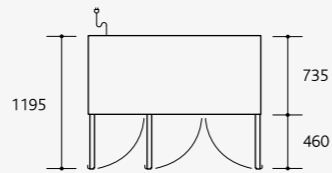


B1350 ✓ High Energy Efficiency

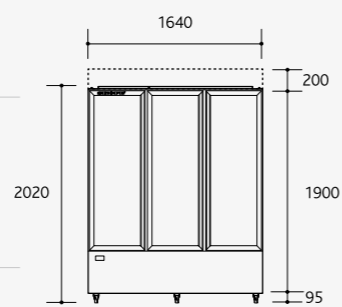
Model	Weight (kg)	Integral/Remote	Chiller/Freezer
B1350	315	Integral	Chiller
B1350r	300	Remote	Chiller

	Integral External (mm)	Internal (mm)		Integral
Height*	2020	1440	Gross Volume	1350 litres
Width	1640	1540	Total Shelf Area	3.45m ² (including floor)
Depth	735	555	Floor Area	1.23m ²
Door Height	1526			
Glass Area	1.91			

- Remote refrigeration duty 1190 Watts at -5°C SST
- Maximum height 2195mm with optional sign fitted



Integral/remote top view



Integral/remote front elevation



TROPICAL GLASS DOOR OPTIONS
 SOLENOID VALVE (REMOTES ONLY)
 ADDITIONAL SHELVES
 200MM SIGN PANEL
 TREATED COIL
 AVAILABLE AS
 B SERIES
 DOUBLE LOW/E ARGON

BOTTOM MOUNTED CHILLERS

B280	1 door / Glass	chiller	n/a	n/a
B550	1 door / Glass	chiller	n/a	n/a
B900	2 door / Glass	chiller	n/a	n/a
B1350	3 door / Glass	chiller	integral & remote integral & remote integral & remote	n/a

NOTE: n/a - not applicable.

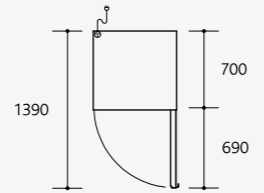


SK650 - GLASS DOOR

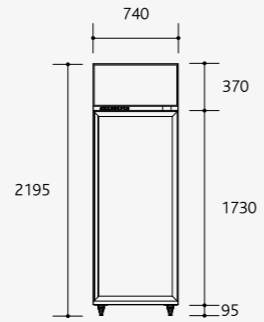
Model	Weight (kg)	Integral/Remote	Chiller/Freezer
SK650	173	Integral	Chiller
SK650r	153	Remote	Chiller

	External (mm)	Internal (mm)	Integral
Height*	2195	1570	Gross Volume 610 litres
Width	740	640	Total Shelf Area 1.76m ² (inc. floor)
Depth	700	555	Floor Area 0.52m ²

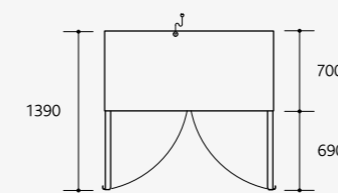
- Remote refrigeration duty 600 Watts at -5°C SST
- Minimum 200mm clear ventilation space required above cabinet top



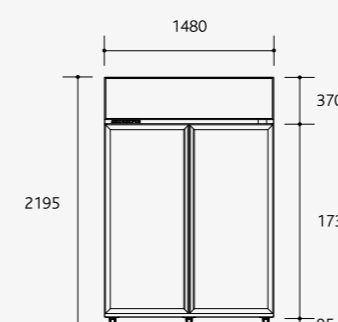
Integral/remote top view



Integral/remote front elevation



Integral/remote top view



Integral/remote front elevation



SK1300 - GLASS DOORS

Model	Weight (kg)	Integral/Remote	Chiller/Freezer
SK1300	270	Integral	Chiller
SK1300r	250	Remote	Chiller

	External (mm)	Internal (mm)	Integral
Height*	2195	1560	Gross Volume 1310 litres
Width	1480	1380	Total Shelf Area 3.86m ² (inc. floor)
Depth	700	555	Floor Area 1.036m ²

- Remote refrigeration duty 940 Watts at -5°C SST
- Minimum 200mm clear ventilation space required above cabinet top

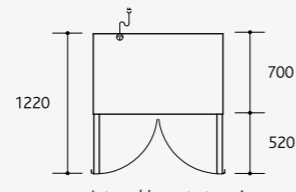


SK1500 - GLASS DOORS

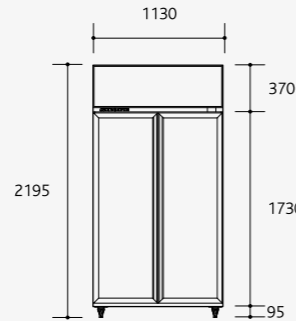
Model	Weight (kg)	Integral/Remote	Chiller/Freezer
SK1500	280	Integral	Chiller
SK1500r	260	Remote	Chiller

	External (mm)	Internal (mm)	Integral
Height*	2195	1560	Gross Volume 1536 litres
Width	1706	1606	Total Shelf Area 4.48m ² (inc. floor)
Depth	700	555	Floor Area 1.19m ²

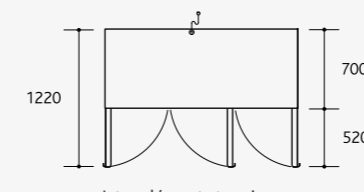
- Remote refrigeration duty 1190 Watts at -5°C SST
- Minimum 200mm clear ventilation space required above cabinet top



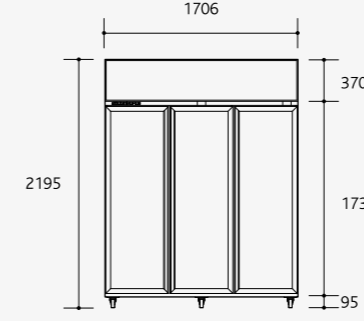
Integral/remote top view



Integral/remote front elevation



Integral/remote top view



Integral/remote front elevation



SK1000 - GLASS DOORS

Model	Weight (kg)	Integral/Remote	Chiller/Freezer
SK1000	227	Integral	Chiller
SK1000r	207	Remote	Chiller

	External (mm)	Internal (mm)	Integral
Height*	2195	1570	Gross Volume 980 litres
Width	1130	1030	Total Shelf Area 2.86m ² (inc. floor)
Depth	700	555	Floor Area 0.79m ²

- Remote refrigeration duty 900 Watts at -5°C SST
- Minimum 200mm clear ventilation space required above cabinet top

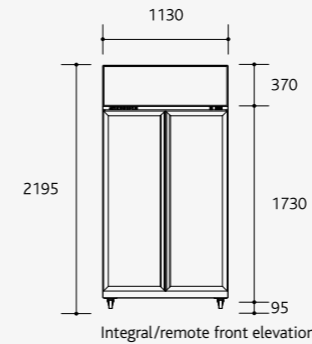
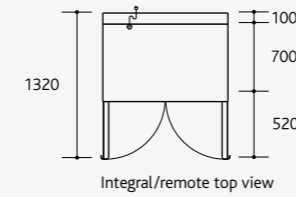
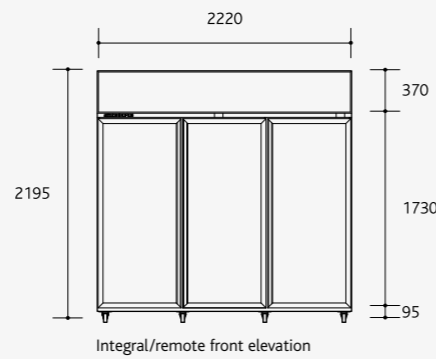
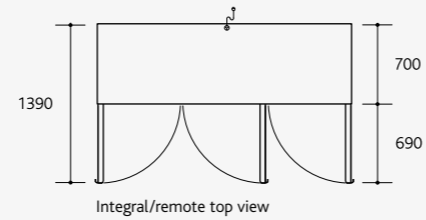


SK2000 - GLASS DOORS

Model	Weight (kg)	Integral/Remote	Chiller/Freezer
SK2000	360	Integral	Chiller
SK2000r	320	Remote	Chiller

	External (mm)	Internal (mm)	Integral
Height*	2195	1560	Gross Volume 1825 litres
Width	2220	2070	Total Shelf Area 5.17m ² (inc. floor)
Depth	700	520	Floor Area 1.55m ²

- Remote refrigeration duty 1360 Watts at -5°C SST
- Minimum 200mm clear ventilation space required above cabinet top



SKF1000 - SOLID/GLASS DOORS

Model	Weight (kg)	Integral/Remote	Chiller/Freezer
SKF1000	283	Integral	Freezer
SKF1000r	248	Remote	Freezer

	External (mm)	Internal (mm)	Integral
Height*	2195	1560	Gross Volume 865 litres
Width	1130	980	Total Shelf Area 2.43m ² (inc. floor)
Depth	800**	555	Floor Area 0.90m ²

- Remote refrigeration duty 1280 Watts at -30°C SST
- 15 Amp power supply
- Minimum 200mm clear ventilation space required above cabinet top

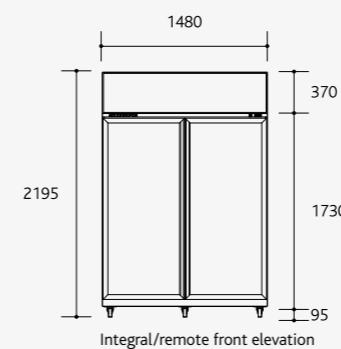
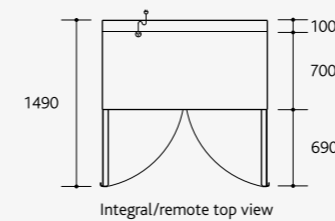
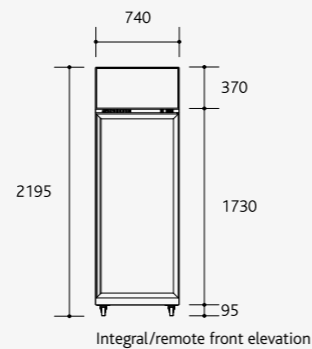
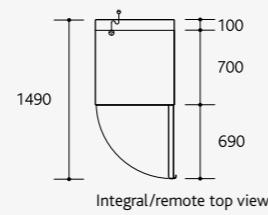


SKF650 - SOLID/GLASS DOOR

Model	Weight (kg)	Integral/Remote	Chiller/Freezer
SKF650	199	Integral	Freezer
SKF650r	175	Remote	Freezer

	External (mm)	Internal (mm)	Integral
Height*	2195	1560	Gross Volume 520 litres
Width	740	590	Total Shelf Area 1.43m ² (inc. floor)
Depth	800**	555	Floor Area 0.59m ²

- Remote refrigeration duty 820 Watts at -30°C SST
- Minimum 200mm clear ventilation space required above cabinet top



SKF1300 - SOLID/GLASS DOORS

Model	Weight (kg)	Integral/Remote	Chiller/Freezer
SKF1300	335	Integral	Freezer
SKF1300r	305	Remote	Freezer

	External (mm)	Internal (mm)	Integral
Height*	2195	1560	Gross Volume 1175 litres
Width	1480	1330	Total Shelf Area 3.31m ² (inc. floor)
Depth	800**	555	Floor Area 1.18m ²

- Remote refrigeration duty 1640 Watts at -30°C SST
- Twin Cyclone™ refrigeration systems, 2 x 10 Amp power supplies
- Minimum 200mm clear ventilation space required above cabinet top

SK2000
3 DOOR

SKF650
1 DOOR

SKF1000
2 DOOR

SKF1300
2 DOOR

*Height includes castors **Depth includes 100mm back airflow spacer
NB: The refrigeration unit protrudes 15mm above the sign panel on the SKF1000 making the cabinet's overall height 2210mm